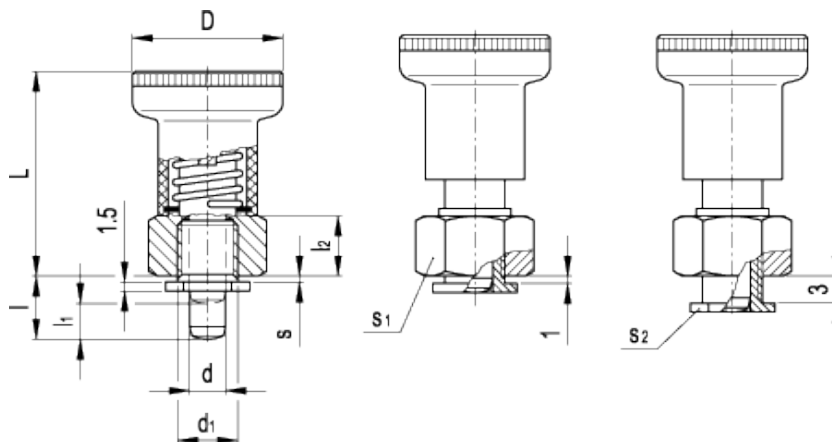


GN 607.2

Indexing plungers



technical informations

Threaded body

Zinc-plated steel.

Plunger

Nickel-plated AISI 303 stainless steel. Suggested matching hole in G7 tolerance.

Centre bush

Zinc-plated steel.

"Push/Pull" knurled knob

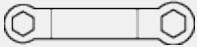
High resilience polyamide based (PA) technopolymer, black colour, matte finish. Resistant to solvents, oils, greases and other chemical agents.

Features

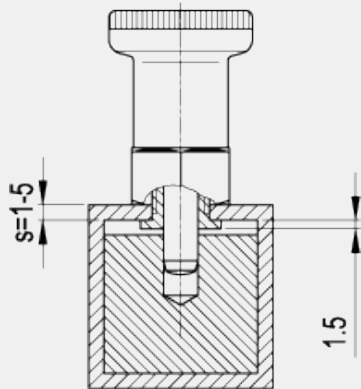
GN 607.2 indexing plungers can be assembled on thin section metal sheets (from 1 to 5 mm). The plunger may not retract

completely in its starting position according to the thickness of the metal sheet "s".
 A double ring spanner (1mm thick zinc plated sheet steel) for installing this indexing plunger is available (code GN 607.9-SW14-SW16).

GN 607.9



Application example



| Standard Elements | Main dimensions | | | | | | | | Spring pressure | | Axial holding force [N] | Weig g | | |
|--------------------|-----------------|-------------------------|-----|----------------|------|-----|--------------------------|----------------|---------------------------|----------------|-------------------------|-----------|----------------|--------------|
| | Description | d ^{-0.02-0.04} | L | d ₁ | D | I | I ₁ stroke | I ₂ | s clamping distance | S ₁ | | | S ₂ | Preload [N~] |
| GN 607.2-6-8.5-ST | 6 | 34 | M10 | 25 | 8.5 | 6 | 10 | 1÷5 | 17 | 14 | 8.5 | 22 | 400 | 40 |
| GN 607.2-6-10.5-ST | 6 | 34 | M10 | 25 | 10.5 | 6 | 10 | 1÷5 | 17 | 14 | 8.5 | 22 | 400 | 40 |
| GN 607.2-8-10-ST | 8 | 40 | M12 | 31 | 10 | 7.5 | 12 | 1÷5 | 19 | 16 | 15.5 | 28 | 500 | 62 |
| GN 607.2-8-12-ST | 8 | 40 | M12 | 31 | 12 | 7.5 | 12 | 1÷5 | 19 | 16 | 15.5 | 28 | 500 | 65 |



ELESA and GANTER models all rights reserved in accordance with the law. Always mention the source when reproducing our drawings.

STANDARD MACHINE ELEMENTS WORLDWIDE